

PC to Video Scan Converter Box ID# 512



Operation Manual

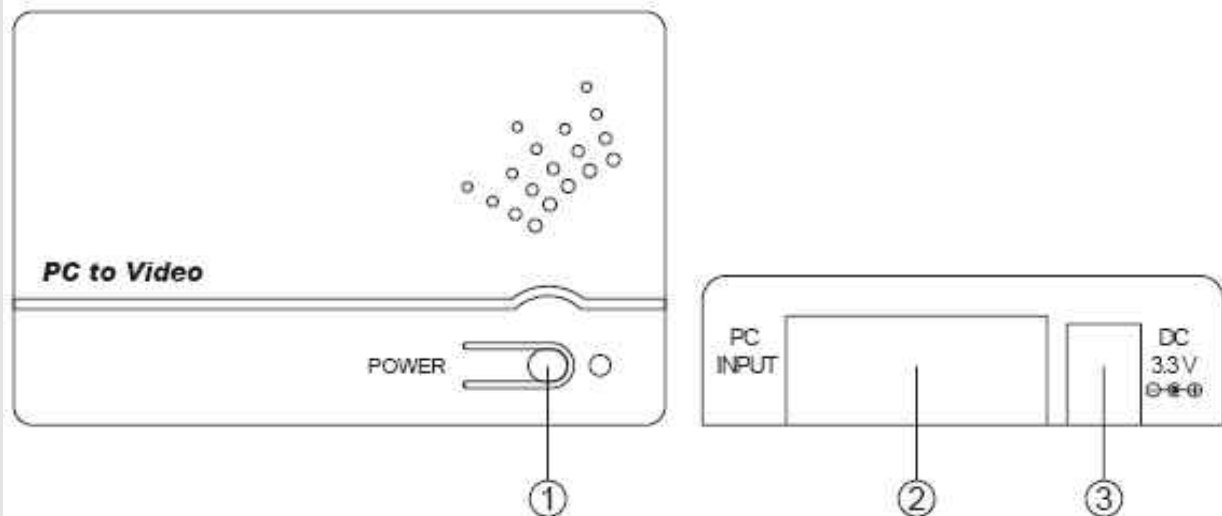
Introduction

The **PC to Video scan converter box** is designed to convert a variety of computer images, from 640x480 up to 1600x1200, to interlaced NTSC or PAL video. It support output formats including composite and SVideo. It is ideal for use in applications like video conference, home theater, business presentation, lecturing room or viewing PC image on TV.

Features

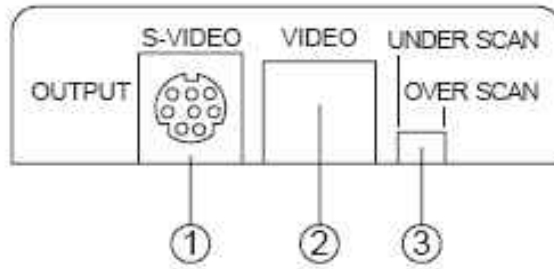
1. Automatically detects and down converts the incoming PC images to NTSC or PAL.
2. Support high resolution PC input up to UXGA (1600x1200 @ 60Hz).
3. Scale down PC video to Composite/S-Video.
4. Switch between NTSC/PAL
5. Image Overscan/Underscan selection.
6. Easy to install and simple to operate.
7. Easy to carry with palm size design.

Operating Functions and Controls Front Panel



1. **Power:** Press to turn power On and Off.
2. **PC input VGA connector.**
3. **DC power supply:** 3.3V/1A DC.

Rear Panel



1. **S-Video output connector.**
2. **Composite video output RCA connector.**
3. **Underscan/Overscan:** Switch the button to underscan/overscan the picture.

Side Panel

To switch between NTSC or PAL system.



Specifications

- **Input ports:** PC
- **Output ports:** Composite/S-video
- **Power Supply:** 3.3V/1A DC (US/EU standards, CE/FCC/UL certified)
- **Dimensions (mm):** 100(W) x 64(D) x 18.5(H)
- **Weight(g):** 100
- **Chassis Material:** Plastic Silk Skin
- **Color:** Gray
- **Operating Temperature:** Operating from 0°C ~ 70°C

Troubleshooting

Problem	Possible causes	Solutions
Power LED is not illuminated	Power cord is not connected correctly.	Make sure that the power cord is connected correctly.
	Power not available.	There may be a power outage in your area. Make sure that other electronic devices are working correctly.
On/Off LED in red color	System may be in standby mode.	Press power button to turn on the ID # 512
No Picture	A/V connection may be loose.	Check that the A/V cables are connected securely.
	Incorrect TV source is selected.	Make sure that the correct input source is selected on the Composite/S-video input. Refer to the TV user manual for more information.